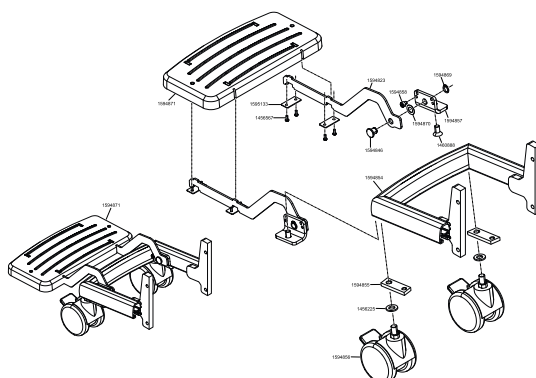
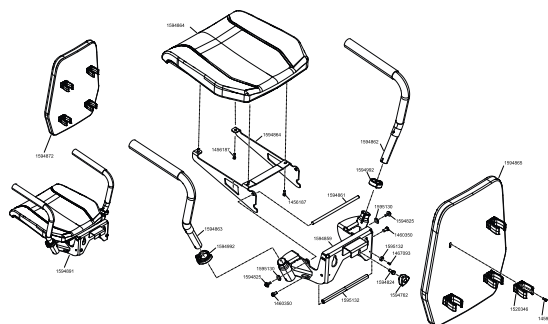


(Seat unit mounted S46 Spare parts)



x1 1456187	(Cylinder head screw DIN 912 - M 5 x 16 - 8.8)	→
x1 1459095	(Screw M5 x 12)	→
x1 1460350	(Cylinder head screw DIN 7984 - M 8 x 16)	→
x1 1467093	(Countersunk head screw M 4 x 10)	→
x1 1520346	KLIPS RYGGSCALACOMBI	→
x1 1594762	Håndskruer seteenhetScalacombi S36	→
x1 1594824	(Screw ISO 4017 M8x18)	→
x1 1594825	(Combi screw M6x20)	→
x1 1594859	(holder for seat welded S46)	→
x1 1594861	(Axle for seat S46)	→
x1 1594862	Armlen HØScalacombi S36	→
x1 1594863	Armlen VEScalacombi S36	→
x1 1594864	Seteplate polstret stdScalacombi S46	→
x1 1594865	Rygg Scalacombi S46	→
x1 1594872	RyggenhetScalacombi S46	→
x1 1594891	SeteenhetScalacombi S46	→
x1 1594992	(Clamp S46, Ø31,8 mm, black)	→
x1 1595130	(pressure spring Ø20 DIN2093)	→
x1 1595132	(Stopper bracket Seat S46)	→
x1 1456225	(Washer DIN 125 - A10,5)	→
x1 1456567	Skrue dekselScalamobil S35	→
x1 1460888	(DIN 7991 - M 8 x 16 - 8.8 vz Torx)	→
x1 1594823	(holder footrest S46)	→
x1 1594846	(Safety bolt with ring groove S46)	→
x1 1594854	(holding welding assembly S46)	→
x1 1594855	(slot nut S46)	→
x1 1594856	(castor wheel S46)	→
x1 1594857	(Angle for folding mechanism S46)	→
x1 1594858	(hexagon socket head cap screw ISO 4762 M5x5-8.8)	→
x1 1594869	(Locking ring DIN 471-10x1 vz)	→
x1 1594870	(Thrust washer iglidur G GTM-1018-005)	→
x1 1594871	(Footrest complete S46)	→
x1 1595133	(Sheet metal bracket for footrest S46)	→